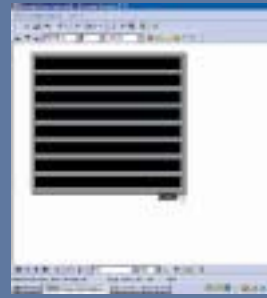


COMMUNICATION TOOLS



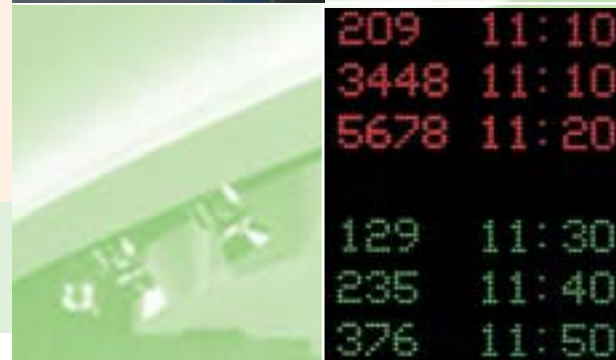
IR Keyboard

Most of the Alpha™ Director displays include a keyboard
(see table on previous pages)



Message Manager Software

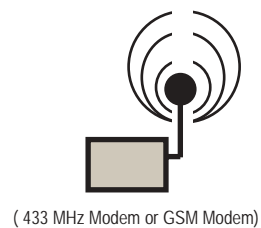
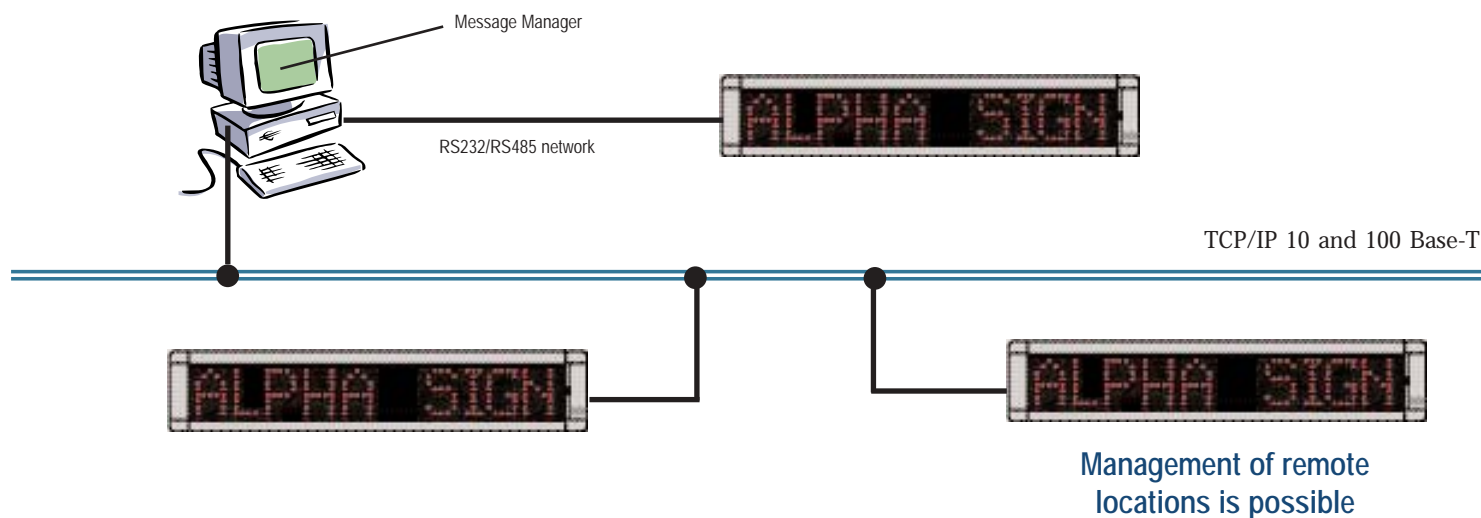
Allows easy programming of the Alpha™ displays from your PC (Windows® required).
Schedule messages to displays at different locations



ALPHA™ DIRECTOR

Character Matrix Displays

CONNECTIONS



Welcome...

To seminars, receptions. Indicate directions
Present daily programs.
(hotels, conference centres, tourist offices...)

Announce..

Film titles, timetable, weather forecasts
(cinemas, universities and colleges, ski resorts...)

Guide...

To a departure gate or a platform, a kiosk
(transportation, public services, museums...)

Broadcast..

Alarm messages, safety announcements
(industry, banks...)

ADAPTIVE
www.ams-e.com

European headquarters / 25 Rue Irène Joliot-Curie / F-38320 Eybens
33.4.76.14.76.00 / Fax: 33.4.76.14.75.70

German Office / Lebacher Str. 4 / 66113 Saarbrücken / Germany
49.681.9066629 / Fax : 49.681.9066630

US Headquarters / 7840 N. 86th Street / Milwaukee, WI 53224 / USA
1.800.558.7022 / Fax: 1.414.357.2029

All specifications are subject to change without notice. Contact your authorized Adaptive distributor for details.
©2004 Printed in France. 05/04. The distinctive appearance of these products are a Trade Dress of Adaptive Micro Systems

INDOOR DISPLAYS

ADAPTIVE

ALPHA DIRECTOR

- Schools / Universities
- Receptions / Lobbies
- Conference Centres
- Cinemas
- Hotels / Restaurants
- Stations / Airports



All displays are :
 available in tricolor ●●●, or red only ●
 or green only ●
 Include wall mounting kit

Case material : extruded aluminium, dark grey color
 For indoor use.
 Operating temperature : 0 to 50°C

Include Message Manager software

35 mm. High characters / maximum reading distance : 20 m

NUMBER OF LINES	NUMBER OF CHARACTERS PER LINE		
	16 characters / line	24 characters / line	32 characters / line
2 lines	630 x 265 x 125 8 kg 60/60W	876 x 265 x 125 10 kg 60/60W	1117 x 265 x 125 12 kg 60/150W
4 lines	630 x 375 x 135 10 kg 60/150W	876 x 375 x 135 13 kg 150/150W	1117 x 375 x 135 16 kg 150/150W
6 lines	630 x 620 x 90 14 kg 150/150W	876 x 580 x 90 19 kg 150/210W	1117 x 580 x 90 24 kg 150/300W
8 lines	630 x 735 x 90 16 kg 150/150W	876 x 735 x 90 24 kg 150/300W	1117 x 690 x 90 28 kg 210/300W
10 lines	630 x 885 x 90 20 kg 150/210W	876 x 850 x 90 27 kg 210/300W	1117 x 885 x 90 35 kg 300/450W
12 lines	630 x 1035 x 90 25 kg 150/300W	876 x 1035 x 90 33 kg 300/450W	1117 x 1035 x 90 40 kg 300/600W
14 lines	630 x 1145 x 90 27 kg 210/300W	876 x 1145 x 90 36 kg 300/450W	1117 x 1145 x 90 44 kg 450/600W
16 lines	630 x 1260 x 90 29 kg 300/300W	876 x 1260 x 90 39 kg 450/450W	1117 x 1260 x 90 48 kg 450/600W

50 mm. High Characters / maximum reading distance : 30 m

NUMBER OF LINES	NUMBER OF CHARACTERS PER LINE	
	16 characters / line	24 characters / line
2 lines	869 x 310 x 125 10 kg 60/60W	1235 x 310 x 125 13 kg 60/60W
4 lines	869 x 565 x 90 15 kg 60/150W	1235 x 565 x 90 20 kg 150/150W
6 lines	869 x 735 x 90 19 kg 150/150W	1235 x 735 x 90 27 kg 150/210W
8 lines	869 x 905 x 90 23 kg 150/150W	1235 x 905 x 90 34 kg 150/300W

Dimensions in mm. : width x height x depth
 Weight in kg
 Power in Watt (single color version / tricolor version)



: Keyboard included with display.



: Floor stand version available. (Total height with floor stand : 1730 mm)



other sizes : please contact us.